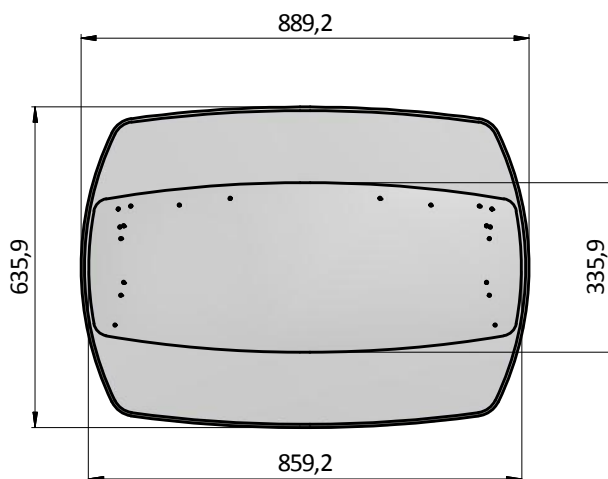
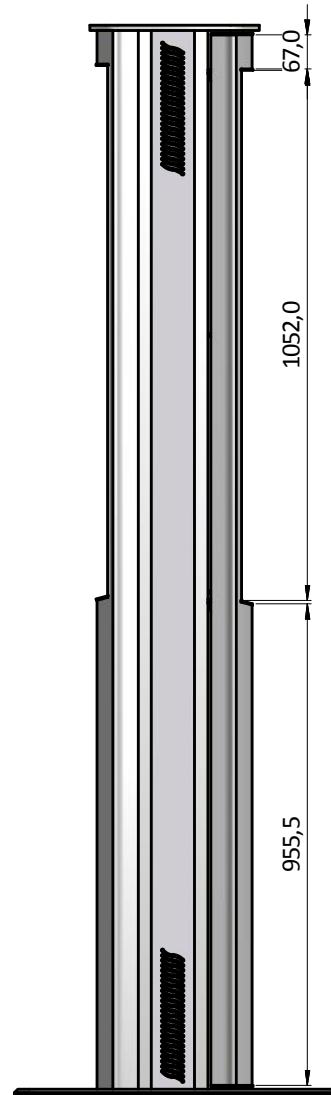
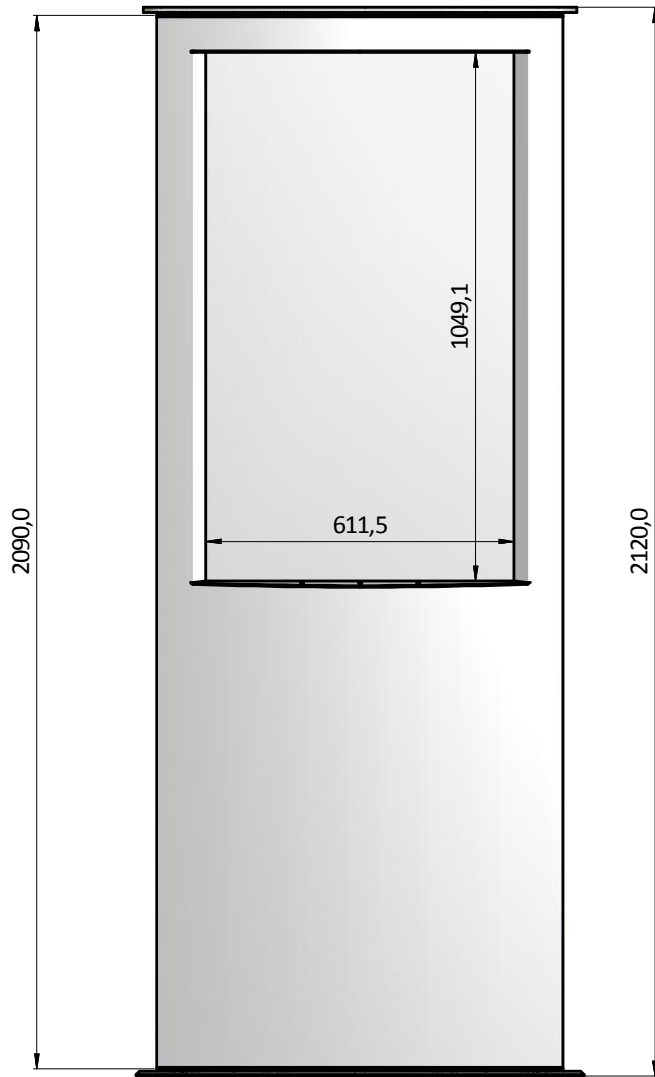
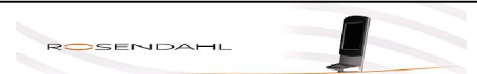


# Fleximega 46 double sided



Rosendahl Conceptkiosk A/S - Laust Rasmussen Vej 11 - 7200 Grindsted  
[www.conceptkiosk.com](http://www.conceptkiosk.com) - Tlf.: +45 76 72 02 60 - Fax.: +45 75 31 07 11



Revision:

Titel:

Subject:

Materiale:

Dato: 12-01-2010

Filnavn: mega46\_2sider

Sheet: 1 / 1

Skala:

Designer: Lars

Papir: A4